

2006 Cadillac STS-V: Service Bulletin: #07-07-30-002: 6L80 Automatic Transmission Busy Shifting, MIL Illuminated, DTC P1751 Set

#07-07-30-002: 6L80 Automatic Transmission Busy Shifting, MIL Illuminated, DTC P1751 Set (Replace Control Valve Body Spacer Plate) - (Jan 30, 2007)

Subject: 6L80 Automatic
Transmission Busy
Shifting, MIL
Illuminated, DTC P1751
Set (Replace Control
Valve Body Spacer Plate)

Models: 2006 Cadillac XLR-V,
STS-V
2006 Chevrolet Corvette
2007 Cadillac Escalade,
Escalade ESV, Escalade
EXT
2007 GMC Yukon
Denali, Yukon Denali XL
Built Prior to December
2006
with 6L80 (RPO MYC)
Automatic Transmission

Condition

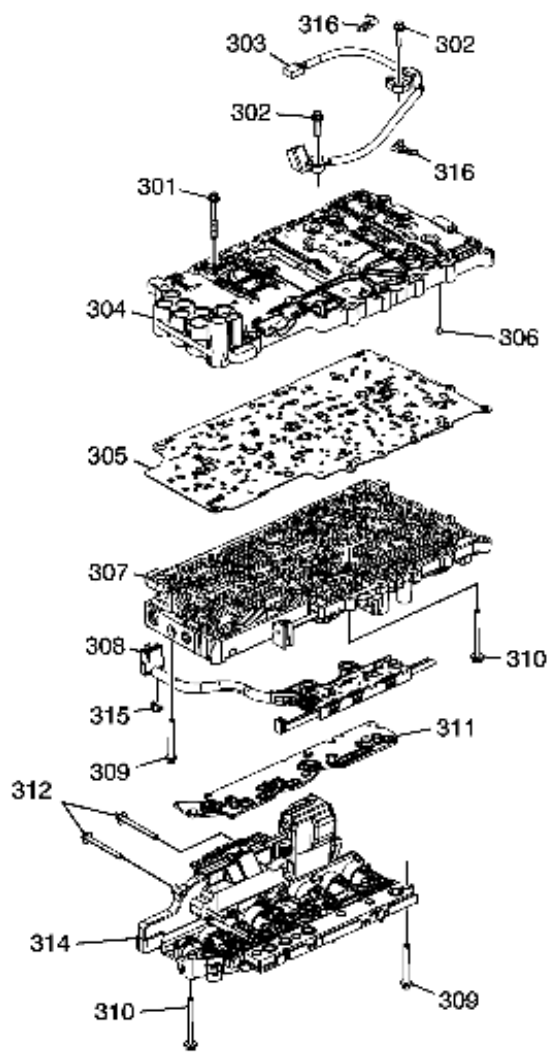
Some customers may comment on busy or frequent up and down shifts in 3rd, 4th, 5th or 6th gear at approximately 48-80 km/h (30-50 mph).

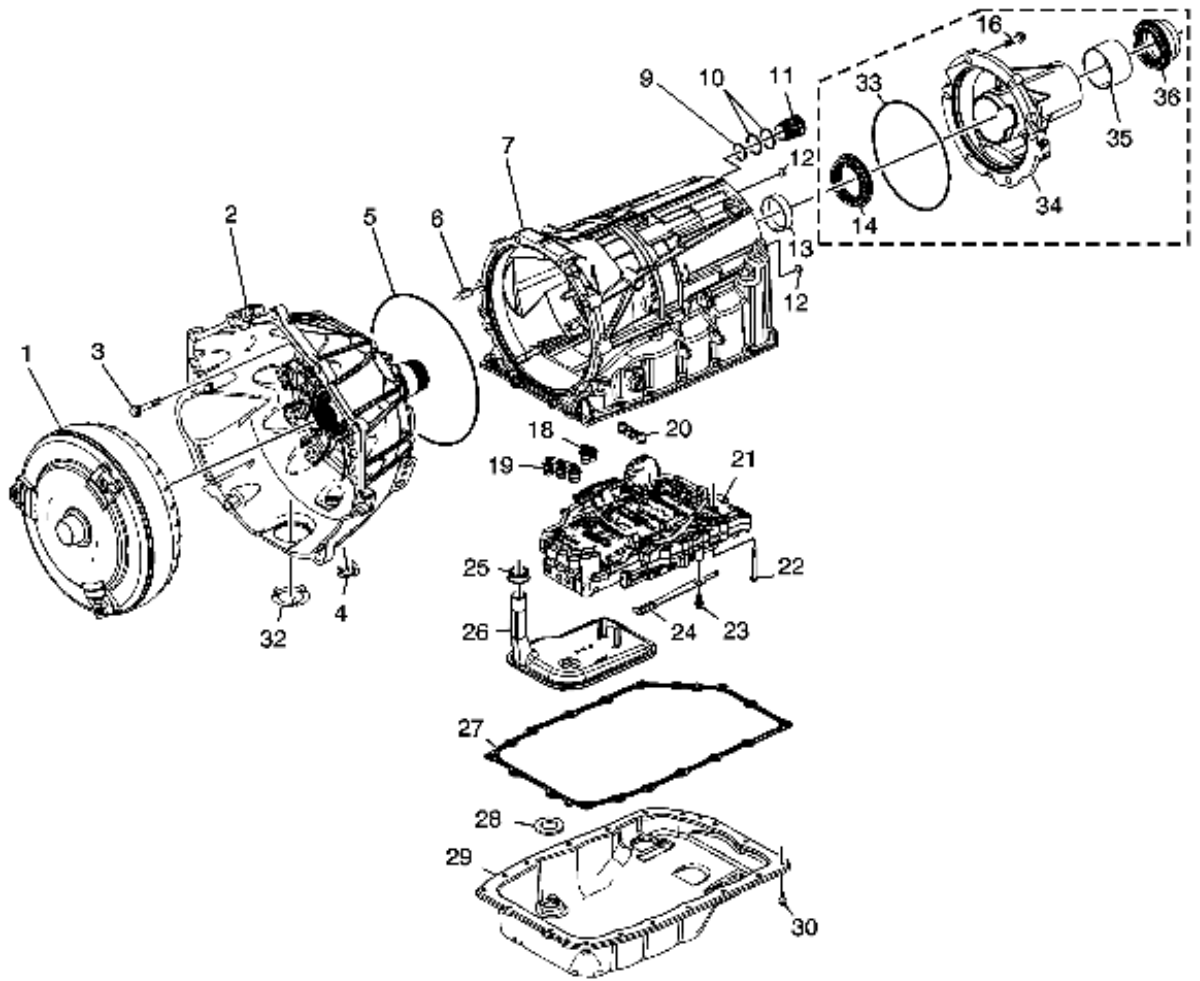
The MIL may also be illuminated and a DTC P1751 stored in the TCM.

Cause

This condition may be caused by an undersized hole or debris in the control valve body spacer plate (305).

Correction





To correct this condition the control valve body spacer plate (305) must be replaced. The electrical connector seals (9, 10), fluid pump seals (18, 19), center support seal (20) and the filter plate assembly (311) should also be replaced. These parts are included in the filter plate kit listed below.

Changes to the control valve body spacer plate were implemented November 4, 2006 in transmission assemblies to prevent this condition.

Refer to the Control Valve Body Assembly Disassemble and Assemble procedures in the Unit Repair information of SI.

Important:

- 2006 Car Applications - Do NOT run service fast learn adapts. A drive procedure must be performed instead. Refer to bulletin 06-07-30-031 for more details.
- 2007 Truck Applications - Service fast learn adapts must be run. Refer to the Service Fast Learn Adapts procedure in SI. Also, bulletin 06-07-30-033 contains additional details.

Parts Information

Part Number	Description
24242053	Plate, Control Valve Body Spacer (w/gaskets)
24236934	Plate Kit, Control Solenoid Valve Filter

Online URL:

<https://www.cadillacvnet.com/knowledge-base/article/2006-cadillac-sts-v-service-bulletin-07-07-30-002-6180-automatic-transmission-busy-shifting-mil-illuminated-dtc-p1751-set-9.html>